



Independent Bariatric  
Equipment Rental Specialists  
Tel 0800 193 2523  
info@fivemobility.co.uk  
www.fivemobility.co.uk

## ReTurn 7600



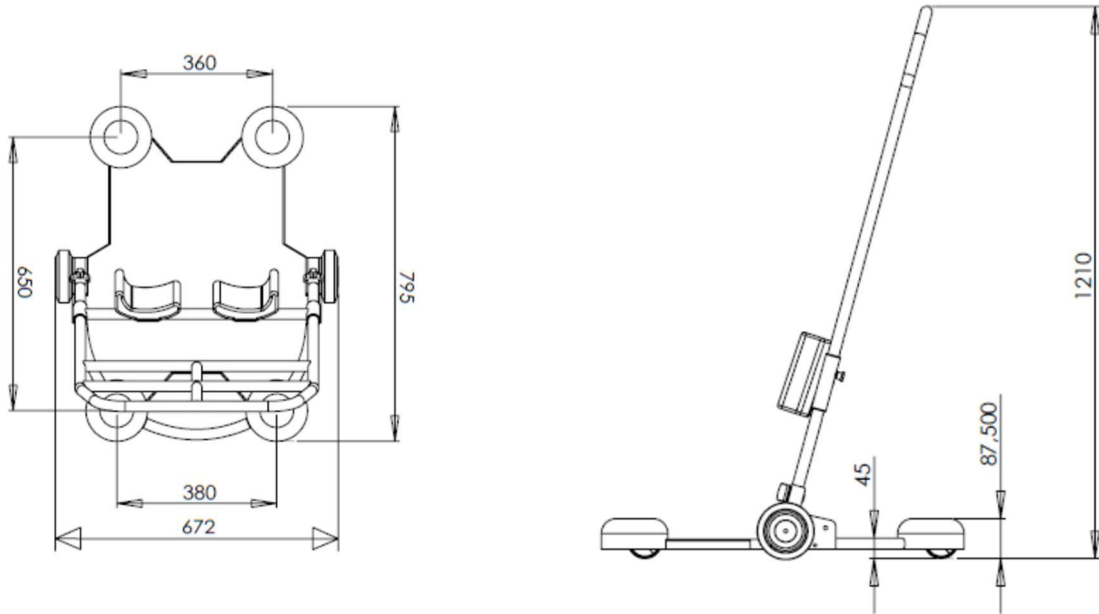
ReTurn7600 is an easy-to-use and incredibly effective assistive device providing convenient and natural support for sit-to-stand and transfer, but it is also a rehabilitation device. ReTurn7600 enables safe and active sit-to-stand and transfer to or from bed, wheelchair or toilet. ReTurn7600 can also be used to facilitate repositioning farther back in a chair or wheelchair.

For the caregiver, ReTurn7600 enables easy transfers without any heavy lifting. For users who still retain some degree of strength, ReTurn7600 stimulates the natural pattern of movement during sit-to-stand, while at the same time strengthening the muscles and functional ability. This makes it the ideal assistive device in a rehab unit, and a user who uses ReTurn7600 at home can normally live at home longer with the help of only one caregiver.

Product Code	5MRT7600
SWL	205kg/32 stone
Accessories	Supplied with Belt in Sizes XL or XXL
Overall Height	1210mm



Independent Bariatric  
Equipment Rental Specialists  
Tel 0800 193 2523  
info@fivemobility.co.uk  
www.fivemobility.co.uk



Note: This Product is Also Available for Purchase