

WIN  CARE

**MANGAR**

HANDY PILLOW LIFT

USER INSTRUCTIONS



## Intended Use

The Handy Pillow Lift:

- Provides adjustable back support for people who require to sleep in a more upright position. NOTE: Do not use the Handy Pillow Lift when for medical reasons, it is critical that an upright sleeping position is maintained (See 'WARNINGS').
- Provides assistance for those with limited upper body strength wishing to lift themselves to a reclined or sitting position.
- Can be used simply as a means of providing additional comfort.

The Handy Pillow Lift has been designed to fit on any bed without the need for securing straps. Power is provided by the Mangar Airflo 12 Compressor.



**PLEASE READ** THE SEPARATE AIRFLO 12 COMPRESSOR USER INSTRUCTIONS.



### WARNINGS

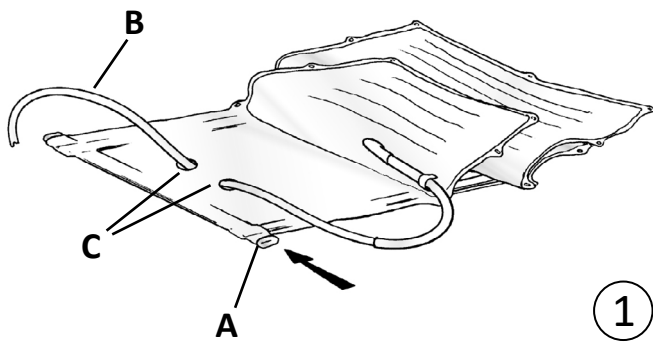
- Ensure that you have read and fully understand these and the separate Airflo 12 user instructions before using the equipment.
- Where a medical condition dictates that an upright sleeping position is critical, the Handy Pillow Lift must not be used as an air leak in the system would cause the backrest to loose height.
- Ensure that when in use, the Airflo 12, the hand control lead and air hose are laid out in such a way as to avoid any risk of tripping or strangulation.
- Do not use any other air supply to inflate the Handy Pillow Lift.
- The Handy Pillow Lift should only be used for it's stated purpose and should not be modified in any way.
- Do not operate the Airflo 12 compressor in the presence of flammable anaesthetic mixtures with air, oxygen or nitrous oxide, as these mixtures can create a combustible environment leading to the potential for fire or even an explosion in the presence of a spark.
- Ensure that when in use, the Airflo 12 compressor, the hand control lead and air hose are laid out in such a way as to avoid any risk of tripping or strangulation.
- Do not allow children to play with the Handy Pillow Lift or Airflo 12 as operation of the equipment in an uncontrolled or unsupervised situation may lead to personal injury and/or damage.
- A clinical assessment must be conducted prior to use for users with reduced or limited balance.

**Please Note:** This product and associated packaging does not contain latex.

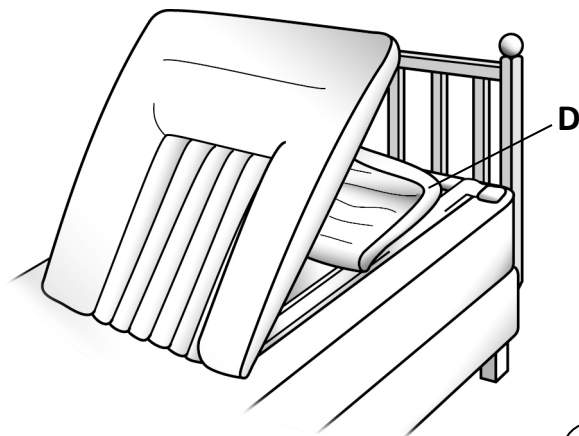
HANDY PILLOW LIFT

ENGLISH

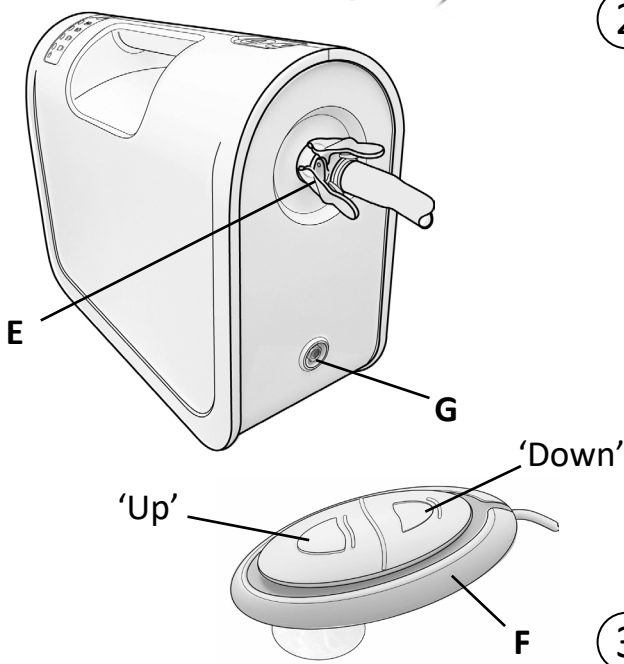
Standard Package Contents	
1 x Handy Pillow Lift	1 x Spreader Bar
1 x Pillow Lift Quilt	1 x User Instructions.
1 x Pillow Lift Cover	



1



2

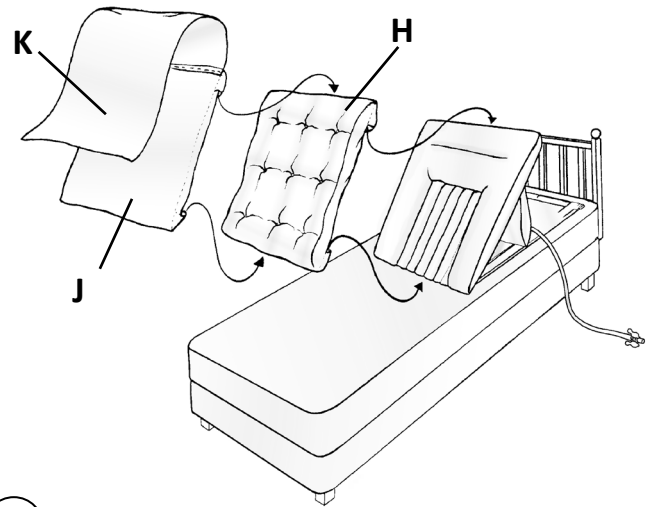


3

## Fitting Instructions

- Fit the spreader bar (**A** fig. 1) through the pocket on the base of the Handy Pillow Lift.
- The air hose (**B**), can be led to either side of the bed, depending on where the compressor is to be placed. If the hose is to be led to the left hand side of the bed (as you lie on the bed), the hose needs to pass through the two holes as indicated (**C**).
- Remove the pillows from the bed and place the Handy Pillow Lift on the bed with the spreader bar positioned up against the headboard. Fold the strut (**D** fig.2) towards the headboard.
- Connect the air hose from the Handy Pillow Lift to the Airflo 12 air outlet socket (**E** fig. 3).
- Connect the push button hand control (**F**) to the hand control socket (**G**).
- Place the Airflo 12 by the side or under the bed, in an out of the way position.
- Partially inflate the Handy Pillow Lift by pressing 'Up' on the hand control (see separate Airflo 12 user instructions).

- Fit the quilt (**H** fig.4) to the Handy Pillow Lift by inserting the top and bottom of the Handy Pillow Lift into the pockets at the top and bottom of the quilt.
- Fit the cover (**J**) over the quilt in the same way as fitting the quilt, ensuring that the flap (**K**), is positioned at the top.
- Position your pillow on the Handy Pillow Lift as indicated (fig. 5) and wrap the flap (**K**) completely around the pillow to hold it in place.

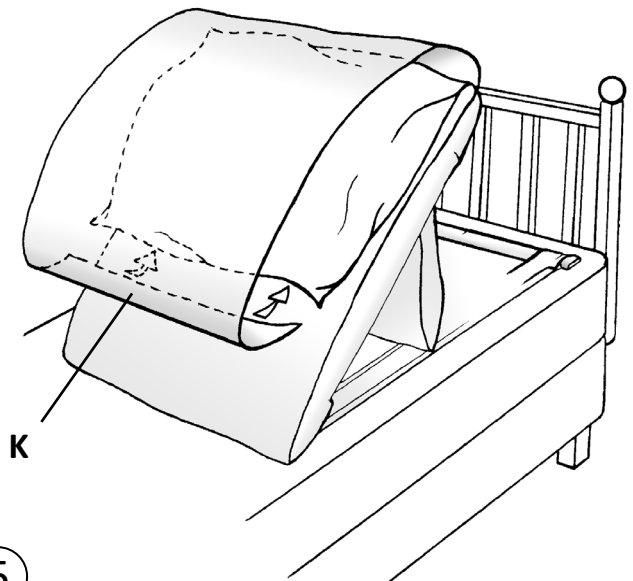


4

## Operating Instructions

- To raise the Handy Pillow Lift, press 'Up' on the hand control or built-in control button.
- To stop at any point, release the 'Up' button.
- To lower the Handy Pillow Lift, press 'Down' on the hand control or built-in control button.

**FOR YOUR SAFETY:** Keep the compressor, the air hose and the hand control tidy and easy to reach.



5

## Routine Cleaning

Remove the cover and quilt and inflate the Handy Pillow Lift. Sponge clean with a non abrasive proprietary liquid cleaner or disinfectant and dry thoroughly. **Do not dry using hot air.** The cover can be machine washed up to 40°C; low heat tumble dried and medium heat ironed. **Do not dry clean or use bleach.** Restrict the quilt washing temperature to 30°C for maximum product life. **Do not tumble dry or dry clean.**

## Disinfecting

The quilt and cover should be removed and the Handy Pillow Lift be fully inflated. The Handy Pillow Lift should be pre-cleaned by washing with detergent and water and then disinfected using a 1:10 solution of household liquid bleach and water (1 part bleach to 10 parts cold water). Leave the solution on the Handy Pillow Lift for approximately 10 minutes before thoroughly rinsing off with clean cold water. **Do not dry using hot air.**

**NOTE:** 'Normal' setting tumble dry temperatures (70°C) can reach 80°C and therefore, a 'Low' temperature (40°C) setting should be used.

## Storage

Ensure that the Handy Pillow Lift is thoroughly dry before storing. Store deflated in a dry place. Keep these instructions in a safe place for future reference.

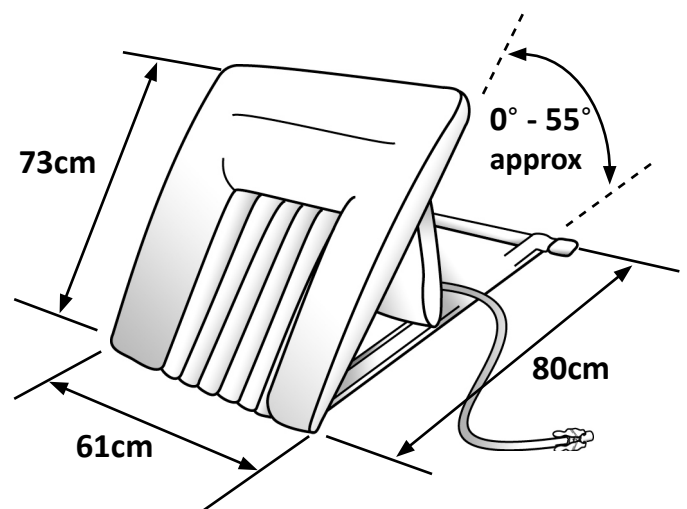
## Maintenance

Other than routine cleaning and disinfecting, the Handy Pillow Lift is maintenance free.

WinnCare recommends that your Handy Pillow Lift is inspected annually by either your supplier or other suitably qualified person. If required, WinnCare can provide the above inspection within an annual service contract (UK only). Please contact our Customer Service Department for further details on Freephone 0800 2800 485.

## Specifications:

Max. User weight:	135kg. (Use with heavier persons will not damage the product, but full lift may not be achieved).
Weight of HPL:	2kg
Inflated Width:	61cm
Deflated width:	71cm
Length:	80cm
Backrest Length:	73cm
Backrest Angle:	0° to 55° approx.
Max. Pressure:	0.35 bar (5 psi)
Air Hose Length:	2m
Fabric:	PU Coated Nylon



## Warranty

The warranty is given against defects in material and workmanship and comprises piece, parts and labour. The warranty is not valid in the case of fair wear and tear, wilful damage, common neglect, misuse or unauthorised alteration or repair by unqualified persons.

The following statements do not affect the consumer's statutory rights. This product is sold on the understanding that in the event of any defect of manufacture or material appearing within the warranty period, the defect will be rectified free of charge providing that:

- (a) Reasonable evidence is provided (e.g. purchase invoice, delivery note) that the claim is being made within the warranty period.
- (b) The defect is not attributable to accidental damage (either in transit or otherwise), misuse or unauthorised repair.

Handy Pillow Lift serial number: .....
Date of purchase: .....
Invoice/Delivery note number: .....

We strive to provide our customers with reliable and durable products of the highest quality. In addition to our standard warranty, and for added peace of mind, our Customer Service Department offers an **Annual Service and Clean package**.

To find out more about this service please call our Customer Service Department on **Freephone 0800 2800 485**.

Mangar International, trading as WinnCare, reserves the right to alter product specifications and/or any of the information contained within this document without notice.



# WIN CARE

**WinnCare is a trading name of Mangar International Ltd.**

Mangar International Ltd, Presteigne, Powys,  
Wales, LD8 2UF

United Kingdom

Tel: +44 (0)1544 267674

Fax: +44 (0)1544 260287

[enquiries@winnCare.uk](mailto:enquiries@winnCare.uk)

[www.winnCare.uk](http://www.winnCare.uk)



**WINNCARE France**  
4, Le Pas du Château -  
85670 Saint-Paul-Mont-  
Penit - France  
Tél : +33 (0)2 51 98 55 64  
[www.winnCare.fr](http://www.winnCare.fr)

**EC REP**