

Rise™ IIS/130

Powered, height adjustable, tilt-in-space shower commode chair

The first Rise model was introduced on the market 15 years ago. Over the years, the chair has been continuously optimized. The result is the current Rise IIS/130 model, an indispensable assistive technical aid in the care environment.

With its compact footprint Rise IIS/130 is ideally suited for use in small bathrooms. The electrical lift height of 42 cm means that the carer can transfer the user directly from the bed without a mobile floor lift, ensuring a correct working environment for the carer throughout the entire care process.

Correct working posture eliminates strain and stress on the caregiver's back, shoulders and knees.

The lifting function allows the user to be raised to the level of the washbasin and mirror, making it possible for them to participate in the care routine.

With the electrical seat tilt and multi-adjustable backrest, Rise IIS/130 makes it easy for the user to find the most comfortable sitting position.

Product Highlights:

- Electrical lifting system (Soft Start/Stop)
- Electrical seat tilt (+7° / 30°) and multi-adjustable soft backrest offers increased user comfort and stability
- Removable battery w. external charging station
- Transfer directly from the bed without the use of a mobile floor lift
- Fits over all standard toilets
- Suitable for use in the shower
- Enables carer to find ideal working positions with the added plus of increased efficiency
- Max user weight 130 kg / 286 lbs / 20,66 stone

Optional Equipment

- Bedpan w. lid –stainless steel
- Holders for bedpan
- Holders for low hanging bedpan (+50 mm / 2")
- Headrest with PU-support which can be shaped to fit the user's head
- Headrest, size: Small, Medium, Large
- Backrest with built-in positioning system
- Anti-pressure pillow with hygiene cut-out
- Locking mechanism for armrests
- Armrest for hemiplegics, left and right
- Crossbar between armrests
- Elevating footrests
- Calf strap for footrests



BORRINGIA



Safe and ergonomically correct transfer

Rise IIIS/130 with electric lifting function and tilt (backwards -30 / forward +7 degrees)

Forward tilting seat in order to use the Rise to help the user to stand up



Flip-up armrests
Ergonomic push handle

Rise IIIS/130 can be used both with normal and wall-mounted toilets.



Swing-away-, height adjustable- and removable footrests removed/mounted without tools.

RiseIIIS/130 is patented.
RiseIIIS/130 is a trademark™ belonging to the manufacturer.



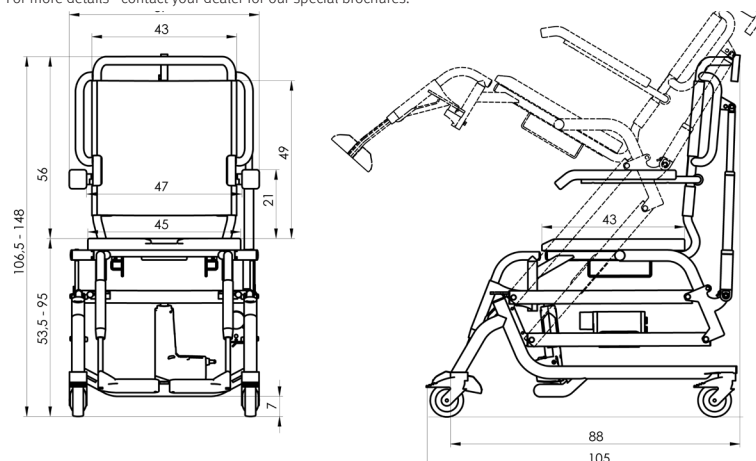
date 31.10.2016 - ver. 2

Chair	Order No.
Rise IIIS /130	12C10S-130
Accessories	
Rise IIIS/130 is available with a wide range of accessories. Ask for our special brochures with all accessories for Rise IIIS/130	
Bedpan in stainless steel w. lid	12A09
Bedpan Holder, which keeps the bedpan in place even when the seat is tilted backwards	12C53
Extended Bedpan Holder, which keeps the bedpan in place even when the seat is tilted backwards. Increases distance by 50 mm	12C68
Adjustable headrest, which can be moulded to the needs of the user. Height-, depth and angle adjustable	12C69
Headrests, Small	12C16
Headrests, Medium	12C17
Headrests, Large	12C18
Hemi-Armrests, 1) Left 12C59 - 2) Right 12C60	12C59/12C60
Wide Armrests (set) Increase the seat width by 10 cm	12C84
Elevating Footrests, 1) Set, 90C60 - 2) Left, 12C66 - 3) Right, 12C67	90C60/ 12C66/ 12C67
Calf strap for footrests	90H27
Torso-, Hip- & Thigh Belt	90E08
Swing-away Torso Support. Can be used both on left and right hand side	12C65
Amputee-Legrests, 1) Left, 12C63 - 2) Right, 12C64	12C63/ 12C64
Anti Pressure Pillow. Pillow and cover can be washed separately at 90° and tumble dried.	90A19-S

TECHNICAL SPECIFICATION

Max. user weight	130 kg / 286 lbs / 20,66 stone
Distance between arm rests	470 mm
Seat depth	430 mm
Seat width	450 mm
Seat height	535-950 mm
Total width	570 mm
Length	880-1050 mm
Total height	1065-1480 mm (without headsupport)
Weight	32 kg
Angle of tilt	+7 to -30 gr
IP class	IP65
Charging time	4-5 hours
Battery capacity	25-30 lifting cycles

For more details - contact your dealer for our special brochures.



Consult the User's Manual for further specifications. All figures and measurements are for guidance only. Winncare Nordic ApS reserves the right to changes without notice.

Product photos may include accessories. Consult your dealer.

WinnCare Nordic ApS
Tårnborgevej 12C
4220 Korsoer
Denmark
Phone. +45 70 27 37 20
e-mail: info@ergolet.dk

www.ergolet.com



by WinnCare Nordic