

Pallas/175

All round stand aid

Primary application

Home care
Nursing homes
Hospital

Pallas 175 is a compact, active stand aid with a lifting pattern closely imitating the user's natural way of standing.

Pallas 175 is developed for users who are weight bearing to a limited degree, and who can participate actively with the carer during transfers.

Pallas 175 is able to raise the user from a seated to a standing or semi standing position, and can also be used for passive or seated transfers. The feature of extra lifting hooks designed for a seated transfer, makes the Pallas 175 an even more all round choice whether for home care, nursing homes or hospital use.

Features like Pallas 175's patented sling hooks, the longer handles to suit varying user needs and the contoured dynamic knee support, are all designed to ensure ease of use and safe and comfortable transfer. Ergolet Pallas now has an increased weight capacity of 175kg / 27.5stone.

Key standard functions

High lifting weight
Adjustable arms
On board charging
Large capacity batteries
Mechanical emergency lowering function on lifting actuator

Accessories

Complete selection of lifting slings
Choice of foot platforms
T-grip
Handgrips





Sling attachment:
a minimum of downward pressure
locks the sling hook; pull upwards
to unlock sling hook.



New dynamic knee support for
increased comfort.



T-grip



Adjustable arms.



Add on handles.

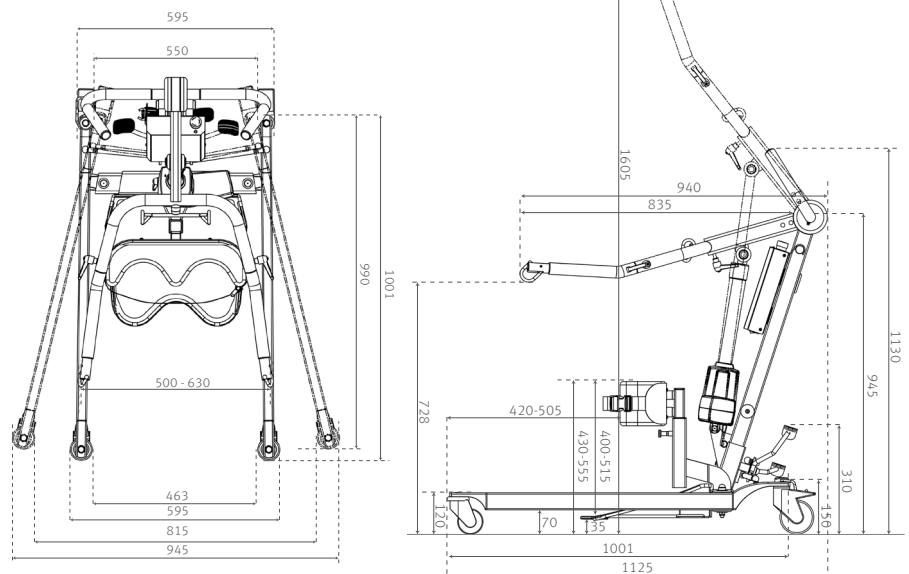
PRODUCT HIGHLIGHTS

- Class leading angle adjustable lifting arms
- Patented safety lifting hooks
- Comfortable foot plate.
- Ergonomic handles with several gripping positions
- Dynamic padded knee support, angle, depth and width adjustable
- Mechanical emergency lowering on actuator.
- Convenient sling hooks for seated transfer.

Version	Item-number
Pallas 175 Grey	011-01516
Accessories	
Foam platform 5 cm	017-01410
Foam platform 10 cm	017-01411
Add on handles for lifting arm	017-00010
T-grip	017-00002
Foot holders	017-01420

TECHNICAL SPECIFICATION

Max. load	175 kg
Lifting interval	728 / 1605 mm
Width external , base min/max	595 / 945 mm
Width internal, base min/max	463 / 815 mm
Chassis height front/back	120 / 150 mm
Length of legs	1001 mm
Lifting method	Electrical
Leg spreading method	Manual
Emergency lowering	Manual
Emergency stop	Electrical
Turning radius	1155
Wheel diameter front/back	ø75 / ø100
Total weight	47 kg
Weight heaviest single part	17,5 kg



Consult the Technical manual for further specifications. All figures and measurements are for guidance only and may differ in actual situations. Ergolet reserves the right to changes without notice.

Product photos may include accessories. Consult your dealer.



date 26.01.2018 - ver. 7

WinnCare Nordic ApS
Taarnborgvej 12C
4220 Korsoer
Denmark
tel. +45 70 27 37 20
e-mail: info@winnCare.dk

www.winnCare.dk

WINCARE
N o r d i c