

NEW

Helios/150

Compact and portable lifter

Primary application

Home care
Institutional

Compact, light weight and functional.

The Ergolet Helios/150 is a competitively priced mobile floor lift perfect for homecare and institutional use. It has a max. lifting capacity of 150kg.

Its moderate total weight and the ability to break down into 2 easily manageable parts, without using tools, makes Helios/150 the ideal choice for a portable floor lift.

Helios/150 is also easy to manoeuvre as the user's weight is positioned over the low friction wheels for easy client transfer.

Helios/150 is available in 2 models: manual leg spread and powered leg spread.

Key standard functions

Compact size
Powered & manual leg spreading
Easily dismantled for multi facility use
Ideal for home care
On board charging and battery level indicator
Powered & manual emergency lowering function

Accessories

Complete selection of lifting slings





Sling attachment:
a minimum of downward pressure locks the sling hook; pull upwards to unlock sling hook.



Low friction wheels

Handcontrol



Emergency stop



Helios is an ideal portable lift, that can be dismantled into two easily manageable parts, without using tools.

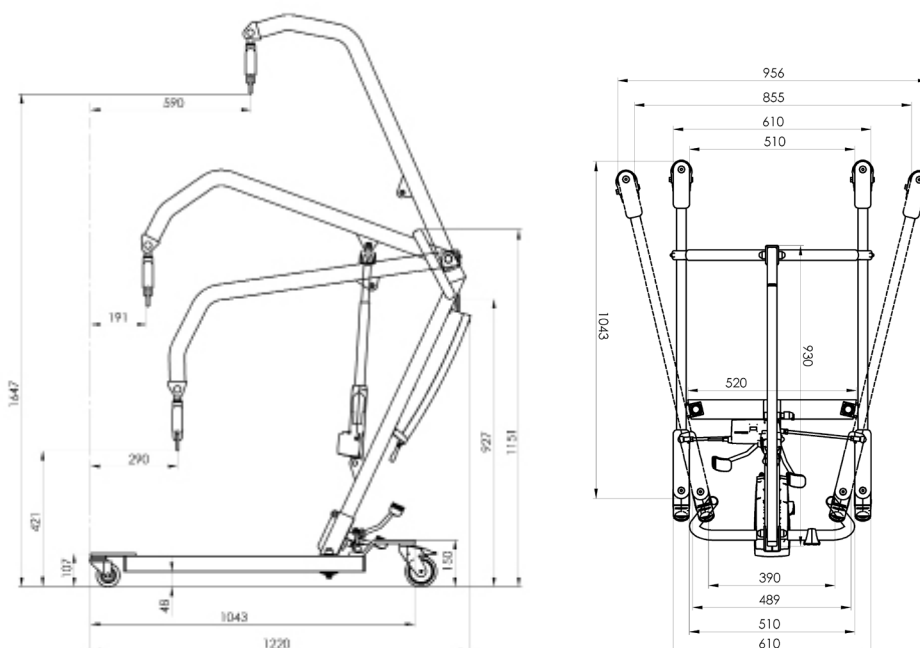
PRODUCT HIGHLIGHTS

- Competitively priced
- Easily dismantled for portability in standard car boot
- Low weight of single parts
- Manual and electrical leg spreading
- Low friction wheels
- Electrical and manual emergency lowering

Version	Item-number
Helios 150 manual leg spreading	010-01218
Helios 150 powered leg spreading	010-01220

TECHNICAL SPECIFICATION

Max. load	150 kg
Lifting interval, min/max	421 / 1647 mm
Width external, base min/max	610 / 956 mm
Width internal, base min/max	390 / 510 mm
Chassis height front/back	107 / 150 mm
Length of legs	1060 mm
Lifting method	Powered
Leg spreading method	Manual/Powered
Turning radius	1300 mm
Wheel diameter front/back	ø75 / ø100
Total weight	33,5 kg
Weight: heaviest single part	18 kg



Consult the Technical manual for further specifications. All figures and measurements are for guidance only and may differ in actual situations. Ergolet reserves the right to make changes without prior notice.

Product photos may include accessories. Consult your dealer.



date 11.02.2016 - ver. 3

Ergolet
Taarnborgvej 12C
4220 Korsoer
Denmark
tel. +45 70 27 37 20
e-mail: ergolet@ergolet.dk

www.ergolet.com

